

# Telematics / eCall

## Endurance and Longer Life NiMH Series

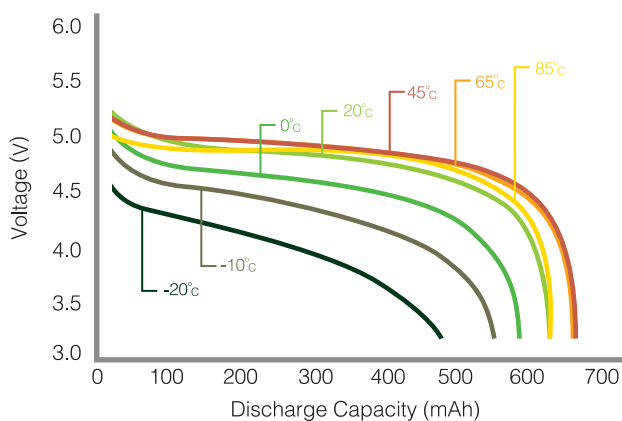
**Proven endurance battery solution for extreme ambient  
Safe choice for Telematic / eCall System**



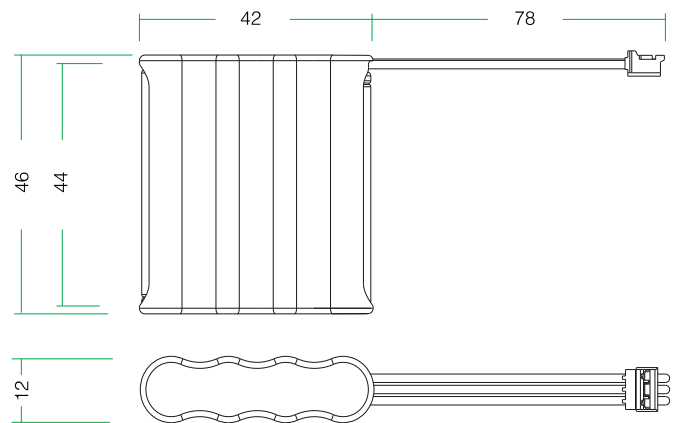
Europe eCall regulation in all cars will be effective from April 2018. This technological solutions aim to save people's lives. Reliable and high quality battery solution matters to ensure the proper function of the system during accidents even in extreme condition.

GP Endurance and Longer Life series NiMH rechargeable batteries are designed to meet wide temperature range European climate and ensure the lifesaving eCall system always service up to 10years.

## Battery discharge curves



## Telematics / eCall battery solutions



Nominal Voltage	Capacity & Size	Max. Peak Discharge Current	Discharge Temperature Range	Charging Temperature Range	Storage Temperature Range	Approximate Weight
4.8V	600mAh (AAA Size)	3A	-35 to 85°C	0°C to 70°C	-40 to 85°C	60g

## GP Advantages

1. Wide discharge temperature range, from -35 to 85 °C
2. Endurance and Longer service life
3. Compliant to REACH and Battery Directive 2006/66/EC
4. Environmental Friendly technology
5. GP will provide design reference for both charging and battery state of health check for the best use of the battery



### WORLDWIDE HEADQUARTER

GPI International Limited

7/F, Building 16W, 16 Science Park West Avenue  
 Hong Kong Science Park, New Territories, Hong Kong  
 Tel: (852) 2484-3333 Fax: (852) 2480 5912  
 Email: gpi@goldpeak.com



[www.gpbatteries.com](http://www.gpbatteries.com)

**Recharge**  
with **GP**